

圆形管道通风机

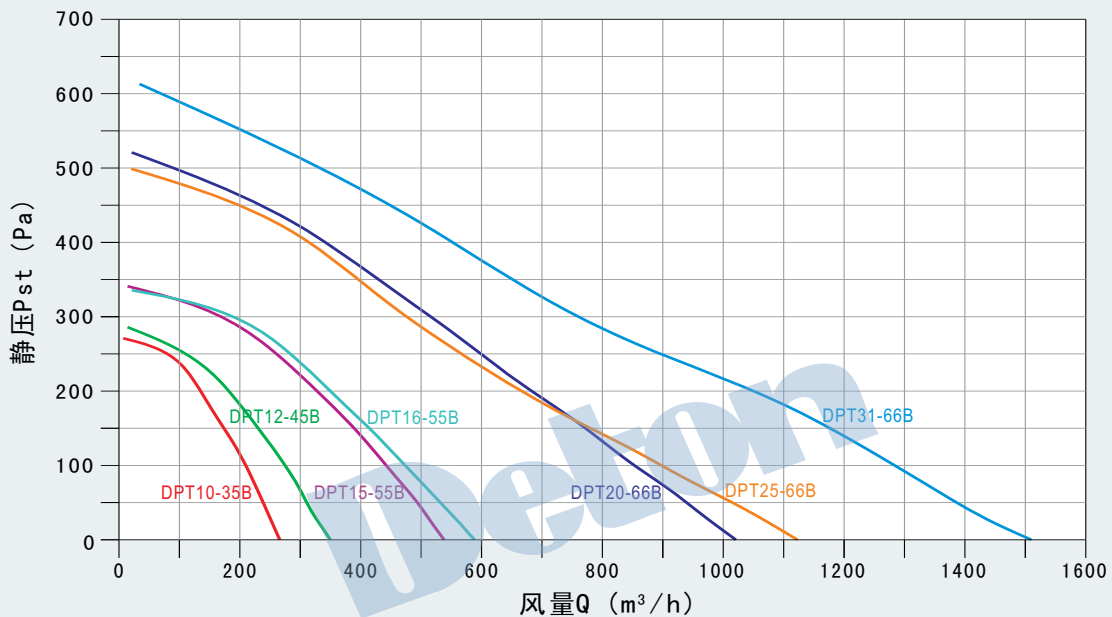
CIRCULAR IN-LINE DUCT FAN

- 外壳采用优质冷轧板拉伸而成，表面喷塑处理，抗腐蚀性强。优化的设计，体积小、重量轻、效率高。进风口与出风口的直径相同，且按标准管道的尺寸设计，可与管道完美对接，便于安装、维护，大大简化管道的设计和制作。
- 采用后弯式离心叶轮，高压高效。
- 配有高效能外转子电机，低温升、低噪声、启动迅速、运行平稳、振动小、寿命长。
- 接线盒采用阻燃纤维的PVC材料制成，防火性能好，使用更安全。安装在机壳外表面，接线、拆装更简便。
- 适用于酒店、宾馆、高级会场、超市、贮藏室、洗手间等地方的送风、排风、回风和补风。



- The shell is made of high-quality cold-rolled plate, surface with plastic-sprayed treatment to ensure strong anti-corrosion. With the advantage of optimized design, small size, light weight, and high efficiency. The air inlet and outlet are with same diameter, and designed according to standard pipe size to ensure it perfectly connected with piping. It is easy to install and maintain, and it greatly simplifies the design and production of the pipeline.
- Adopt backward curved centrifugal impeller with high pressure and efficiency.
- Equipped with high-performance external rotor motor, with the advantage of low temperature rise, low noise, quick start, smooth running, small vibration and long life.
- The junction box is made of PVC material which contains flame retardant fiber, with good fire performance and much safer to use. And it is mounted on the outside of the motor cover, which makes wiring and dismantling easier.
- Application: Use for ventilation in hotels, supermarkets, store rooms, and toilets, etc.

性能曲线图 Performance Curve

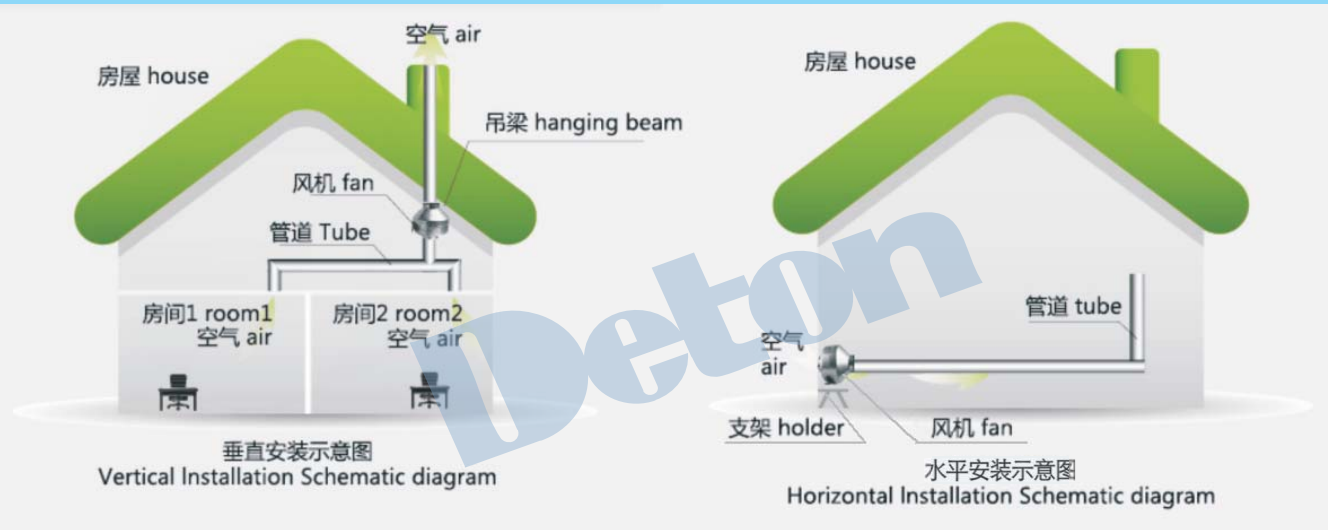


性能参数表 Performance Chart

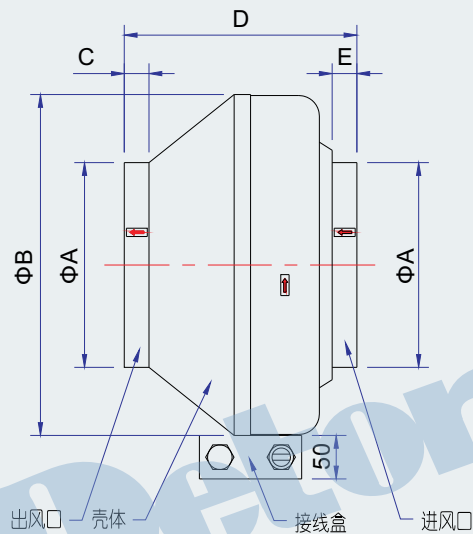
型号 Model	功率 Power (W)	电压 Voltage (V)	频率 Frequency (Hz)	转速 Speed (rpm)	风量 Max. Airflow (m³/h)	静压 Max. Pst (Pa)	噪声 Noise dB(A)	接管直径 Tube Diameter (mm)	重量 Weight (kg)
DPT10-35B	75	220	50	2460	270	270	58	Φ100	2.8
DPT12-45B	75	220	50	2350	350	286	58	Φ125	2.8
DPT15-55B	95	220	50	2420	540	340	64	Φ150	4.8
DPT16-55B	133	220	50	2640	590	334	65	Φ160	4.8
DPT20-66B	137	220	50	2600	1020	520	65	Φ200	6.2
DPT25-66B	157	220	50	2390	1120	500	66	Φ250	6.6
DPT31-66B	189	220	50	2378	1510	613	67	Φ315	6.9

注:表中风量值是指最大风量;静压值是指最高静压;噪声值是指在风机进、出风口两端均连接管道的情况下,距离风机1米处测量的A计权声压级。

安装示意图 Installation diagram



外形尺寸 Dimension



型号	ΦA	ΦB	C	D	E
DPT10-35B	95	268	22	200	22
DPT12-45B	120	268	22	200	22
DPT15-55B	145	342	30	269	25
DPT16-55B	155	342	30	269	25
DPT20-66B	195	342	30	269	40
DPT25-66B	245	342	30	279	50
DPT31-66B	310	400	30	295	50